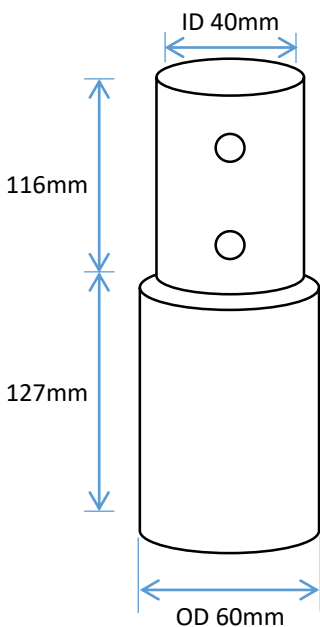




Spigot Adaptor for LED Street Lights – 34 > 60mm

Product Features

- Fits 34~40mm OD spigot size
- Enlarges to 60mm OD
- Hot Dip Galvanised Steel



Specification

Model	SLM-PTA-3460-G
Colour	Silver (Galvanised)
Fits Spigot	34~40mm OD
Enlarges to	60mm OD
Housing	Hot Dipped Galvanised Steel
Product Dimension	Ø60 x 243mm
Weight	1.2kg
Warranty	1 Year

Specifications are subject to change without notice