



100w MultiFiT V3 LED Street Light

Product Features

- 100w
- 2 Colour Adjustable (4000K/5000K)
- Fits 50~60mm spigot size
- Quality Driver
- Full range power input 90~305VAC
- 10KV surge protector
- Aluminium die cast housing
- Supports pole top ($90^\circ \pm 15^\circ$) or spigot mounting ($0^\circ \pm 15^\circ$)
- 150/80° Beam Angle
- PE cell compatible (excludes -N model)
- IP65 Housing
- IK08 Impact Rating
- Weight: 4.8kg

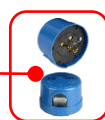


Spigot mounting



Pole top mounting

Options:



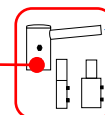
PE Cell
(n/a in -N model)



Mounting Poles



Ø36-40mm Spigot Replacement



Outreach or Spigot Adaptors



COLOUR SELECT



N14256



SAA APPROVALS



5827



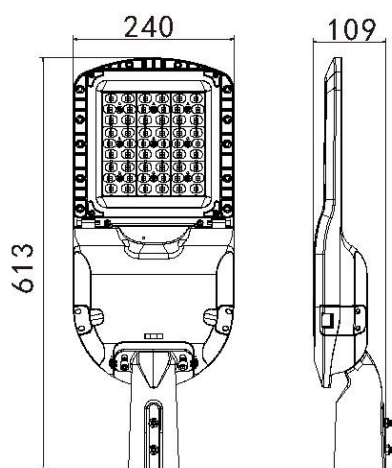
Specification Overview

Model	Power	Power Requirement	Colour Temp	Lumens	Beam Angle	Trim Colour	Dimensions	Spigot Size
SLM-100W-2C	100w	90~305VAC	4000K/5000K	11256lm/12566lm	150/80°	Black	613x240x109mm	50~60mm
SLM-100W-2C-N	NO NEMA SOCKET MODEL (no ability to add PE Cell) All specifications remain the same as above							

Product Specification



100w MultiFiT V3 LED Street Light



Specification

Model	SLM-100W-2C	SLM-100W-2C-N
NEMA Socket (ability to add PE Cell)	Yes	No
Colour Temperature (2CCT)	4000K or 5000K	
Lumen (lm)	12566lm (4000K) / 11256lm (5000K)	
Efficiency (lm/w)	>132lm/w (4000k) / >118lm/w (5000K)	
Light Source	LED	
CRI (%)	≥80	
Beam Angle	150° / 80°	
Power Requirement	90~305VAC	
Power Consumption	95w	
Dimmable	No	
Housing	Diecast aluminium with tempered glass diffuser	
Lifespan	>40,000 hours	
Operation Temperature	-30°C~+40°C	
Product Dimension	613 x 240 x 109mm (Spigot mount)	
Fits Spigot Size	Ø50 ~ Ø60mm	
Impact Rating	IK08	
Weight	4.8kg	
Protection Rating	IP65	
Warranty	5 Years	

Options:



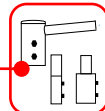
PE Cell
N/A on -N models
(Model: SLM-PE)



Mounting Poles



Ø36-40mm Spigot Replacement
(Model: SLM-SPIGOT-40)



Outreach or Spigot Adaptors

Specifications are subject to change without notice